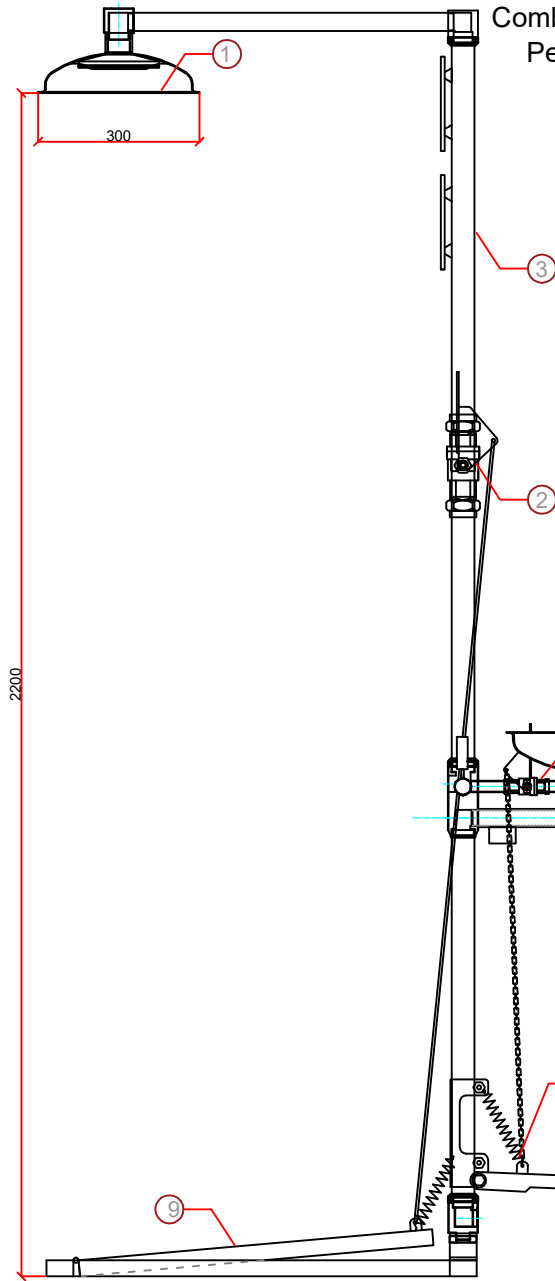
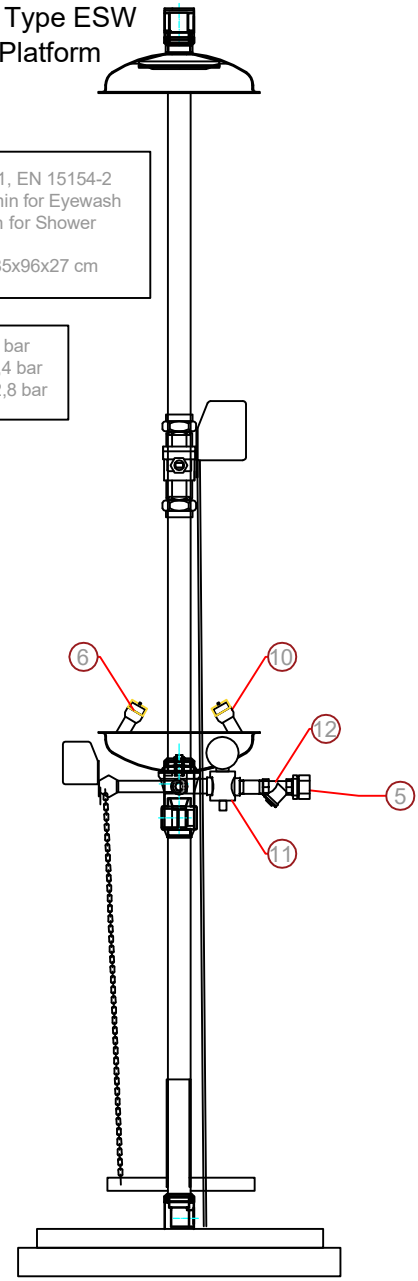


Combined Unit, ISTEС Type ESW  
Pedestal Type With Platform



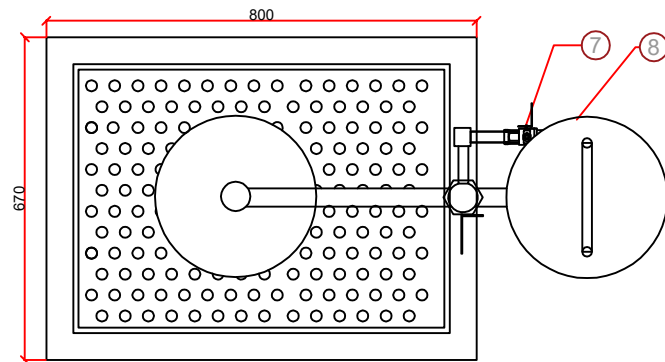
-side view-



-front view-

Standarts: EN 15154-1, EN 15154-2  
Water Flow: 11,5 lt / min for Eyewash  
75 lt / min for Shower  
Total Weight: 30 kgs  
Packed Dimensions: 85x96x27 cm

Static test pressure : 7 bar  
Min using pressure : 1,4 bar  
Max using pressure : 2,8 bar



-top view-

NO. DESCRIPTION NOTES

| NO. | DESCRIPTION                 | NOTES                    |
|-----|-----------------------------|--------------------------|
| 12  | Filter                      | Brass                    |
| 11  | Water Pressure Regulator    | Brass                    |
| 10  | Spray Nozzles               | Brass                    |
| 9   | Platform control for Shower | Galvanized Painted Steel |
| 8   | Eyewash Bowl                | Galvanized Painted Steel |
| 7   | 1/2" Ball Valve             | Brass                    |
| 6   | Dust Cover on Eyewash Spray | Plastic                  |
| 5   | Water Inlet 1 "             | Galvanized Painted Steel |
| 4   | Foot Control for Eyewash    | Galvanized Painted Steel |
| 3   | Pipes                       | Galvanized Painted Steel |
| 2   | 1" Ball Valve               | Brass                    |
| 1   | Shower head Bowl (Ø300mm)   | Galvanized Painted Steel |



|      |      |             |          |         |          |
|------|------|-------------|----------|---------|----------|
| REV. | DATE | DESCRIPTION | DESIGNED | CHECKED | APPROVED |
| A    |      | FIRST ISSUE | SS       | FA      | ST       |
|      |      |             | DESIGNED | CHECKED | APPROVED |
|      |      |             | ORIGINAL | EDITION |          |
|      |      |             | SS       | FA      | ST       |
|      |      |             | CHECKED  | FA      | ST       |
|      |      |             | APPROVED | ST      |          |

|          |          |
|----------|----------|
| CUSTOMER |          |
| PRODUCT  | 15038500 |

STATUS  
FOR INFORMATION   
FOR REVIEW   
FOR APPROVAL

FOR INFO/DESIGN   
FOR REQ/DESIGN



|      |       |
|------|-------|
| SIZE | SCALE |
| A4   | 1/100 |

DRAWING NUMBER/DATE:  
3716/1

SHEET:  
1  
OF:  
1

DRAWING NAME:  
Combined Unit, ISTEС Type ESW  
Pedestal Type With Platform